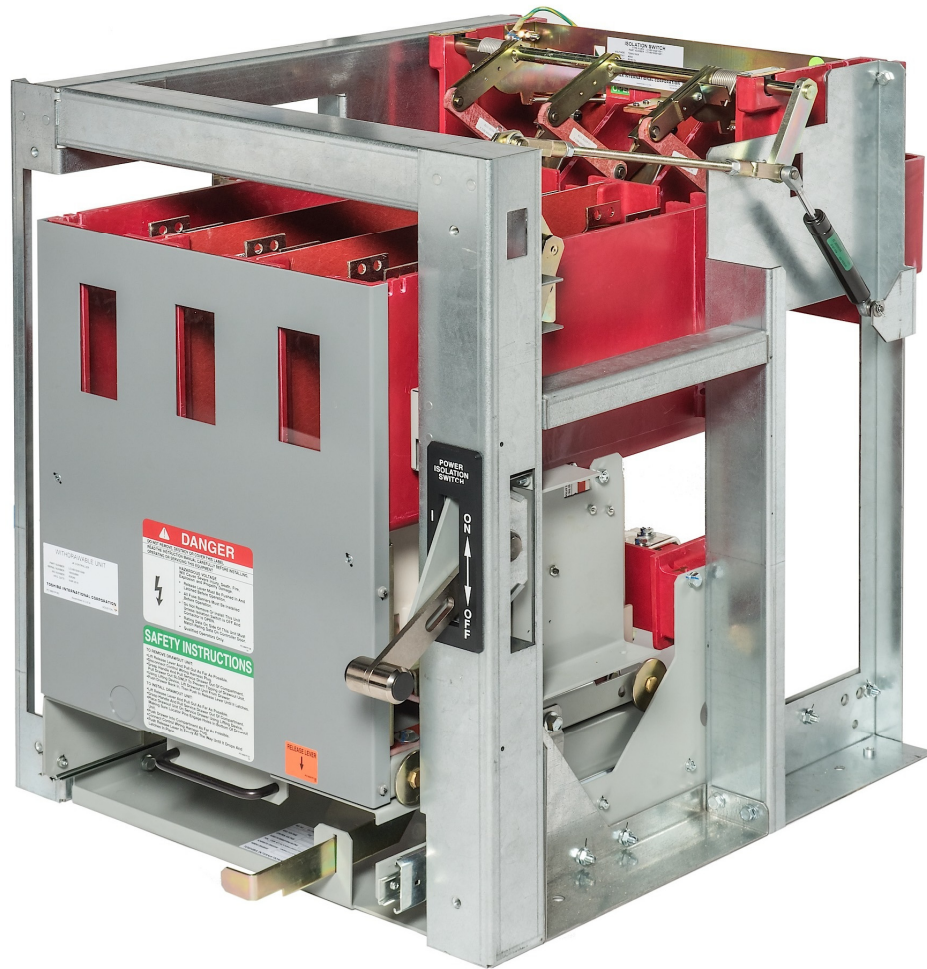


**TOSHIBA**  
Leading Innovation >>>



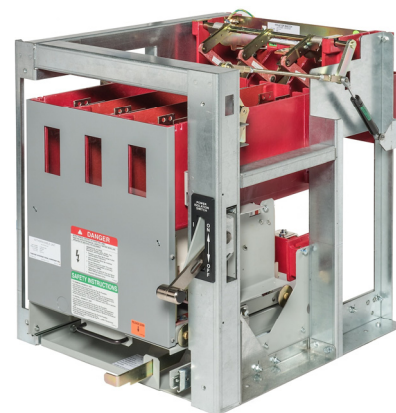
**JK OEM KIT** >>>>  
**MEDIUM VOLTAGE POWER CELL**

## ADVANCED FEATURES, COMPACT DESIGN

Toshiba's JK OEM Kits utilize a compact, front-accessible design that can be used in either motor or distribution applications. Designed to replace existing air contactors or old vacuum contactor applications when used for motors or small distribution feeders, the JK OEM Kit provides the latest in state-of-the-art Toshiba vacuum technology along with a patented bolted-pressure JK Isolation Switch. The JK OEM Kit allows customers to use their standard or existing cubicles, wiring methods, and components.

### > STANDARD FEATURES

- Conforms to UL 6<sup>th</sup> edition
- Toshiba Medium Voltage Vacuum Contactor, 400A
- Drawout or Fixed-Type
- Patented Bolted-Pressure JK Isolation Switch
- Less than 24" Wide, 29.3" High, 33" Deep
- Available With or Without Main Power Fuse Clips (Single or Double-Barrel)
- Electrically Held or Latched-Type Versions
- Front-Accessible
- Provision for Key Interlock Switch (Optional)

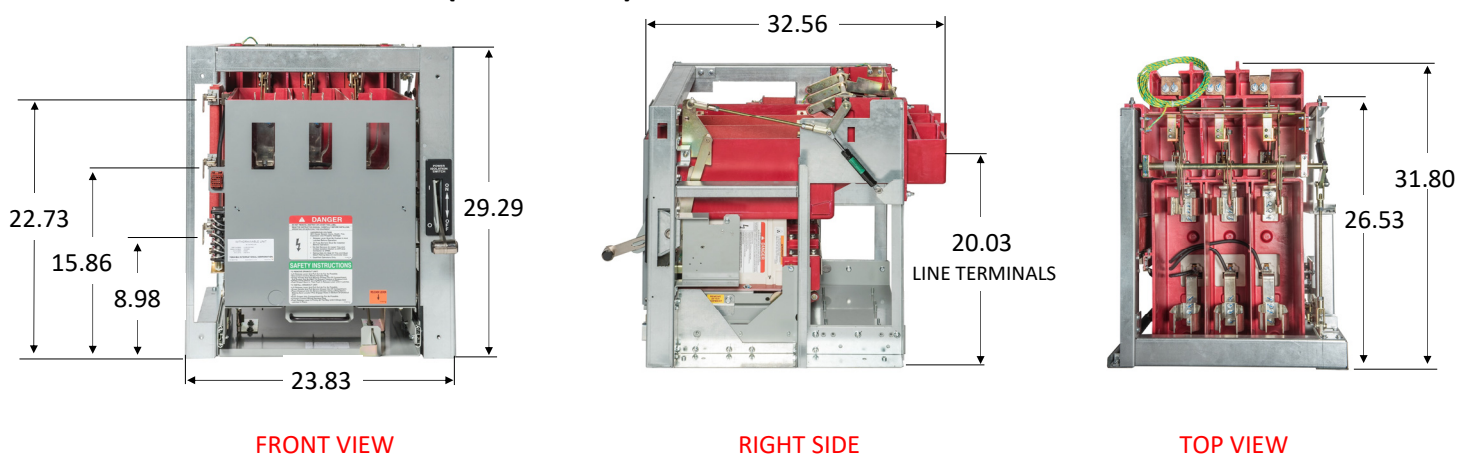


### > BOLTED-PRESSURE, JK ISOLATION SWITCH FEATURES

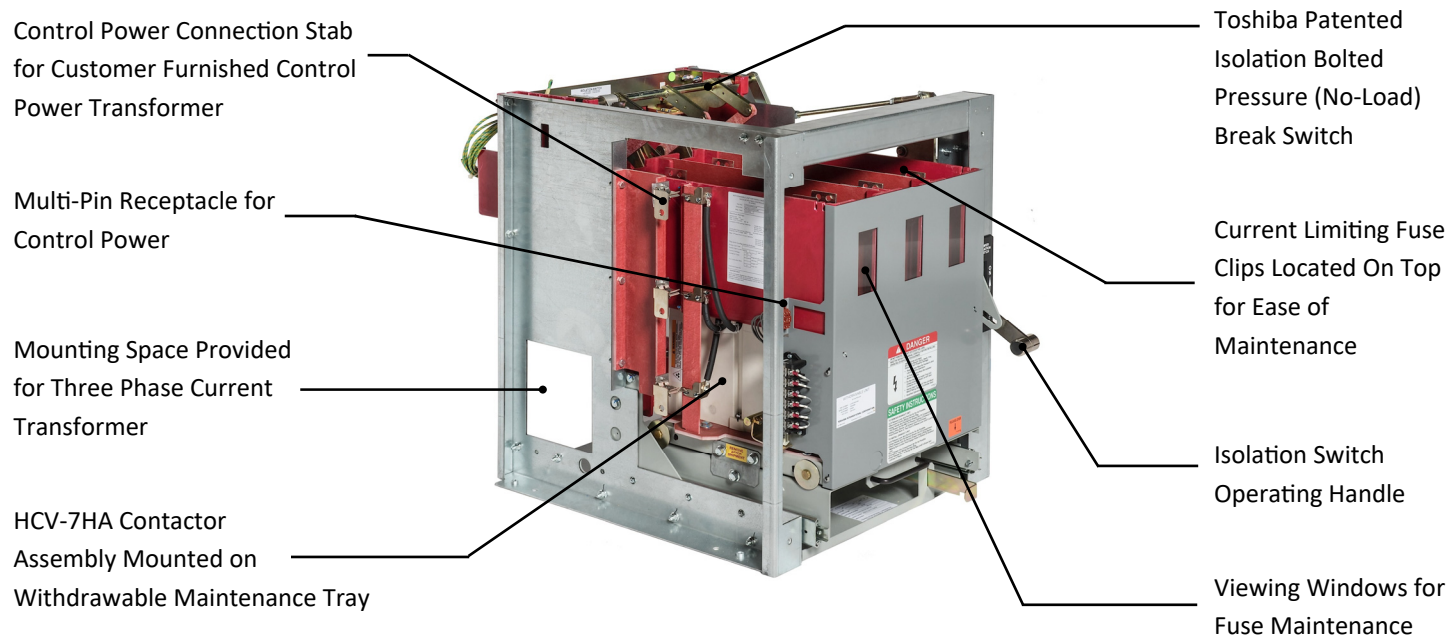
- Patented Design
- Less Resistance
- Less Wear
- Less Maintenance
- No Insertion Pressure
- Padlock Provision
- Grounded In The Open Position
- JK Isolation Switch Cannot Be Opened Unless Contactor Is Open



### > JK OEM KIT DIMENSIONS (DRAWOUT)



## > JK OEM KIT FEATURES (DRAWOUT)



## > CONTACTOR SPECIFICATIONS

MODEL	HCV-7HA	HCV-7HAL	
Rated Voltage (kV)	2.4 - 6.6 (7.2 kV Max)		
Rated Current (A)	400		
Interrupting Capacity (Symmetrical kA)	7.2		
Class E1 MVA	30 @ 2.4 kV	62 @ 5.0kV	86 @ 6.9kV
Class E2 MVA	200 @ 2.4kV	400 @ 5.0kV	600 @ 6.9kV
Rated Insulation Level (kV BIL)	60		
Rated Insulation Level (kV Power-Frequency Withstand)	18.2 (1 Minute)		
Short Time Capability (kA)	6.0 (1 Second) / 2.4 (30 Seconds)		
Control Voltage	100-240V <sub>AC</sub> / 125-250V <sub>DC</sub>		
Switching Frequency (Per Hour)	1200	300	
Mechanical Life (Million Operations)*	1	.25	
Electrical Life (Thousand Operations)*	.25		
Auxiliary Switch	3NO/3NC	2NO/2NC	
Auxiliary Contact Rating	10A, 600V (NEMA Class A600)		
Method of Operation	Non-Latched	Latched	
Trip Coil Voltage (V <sub>DC</sub> )	N/A	24, 32, 48, 125, 250	

\*Maximum required test. Actual life under normal conditions is greater.

## > JK OEM KIT CONFIGURATION

MODEL NUMBER	DESCRIPTION	APPLICATION
GCV5084L03G00-7	Fixed-Type Without Fuse Clips (With Bus)	Used When Upstream Protection is Provided
GCV5084L03G01-7	Fixed-Type With Single-Barrel Clips	Motor HP Rating Up to 1500HP
GCV5084L03G02-7	Fixed-Type With Double-Barrel Clips	Motor HP Rating Up to 3000HP
GCV5084L03G03-7	Fixed-Type for CPT/PT/CB	Includes Bolted Pressure Isolation Switch for Disconnecting CPT/PTs, Provision to Fix-Mount 1 or 2 CPT/PTs with Mounting Provision for Secondary Low Voltage Circuit Breaker
GCV5084L03G04-7	Fixed-Type for CPT/PT/LS	Includes Bolted Pressure Isolation Switch for Disconnecting CPT/PTs, Provision to Fix-Mount 1 or 2 CPT/PTs with Limit Switch
GCV5084L04G00-71	Drawout-Type Without Fuse Clips (With Bus)	Used When Upstream Protection is Provided
GCV5084L04G01-71	Drawout-Type With Single-Barrel Clips	Motor HP Rating Up to 1500HP
GCV5084L04G02-71	Drawout-Type With Double-Barrel Clips	Motor HP Rating Up to 3000HP
GCV5084L05G00-7L1*	Fixed-Latched-Type Without Fuse Clips	Used When Upstream Protection is Provided
GCV5084L05G01-7L1*	Fixed-Latched-Type With Single-Barrel Fuse Clips	For Distribution Loads (400A Maximum), Transformer, or Capacitor Switching
GCV5084L05G02-7L1*	Fixed-Latched-Type With Double-Barrel Fuse Clips	For Distribution Loads (400A Maximum), Transformer, or Capacitor Switching
GCV5084L06G00-71L1**	Drawout-Latched-Type Without Fuse Clips	Used When Upstream Protection is Provided
GCV5084L06G01-71L1**	Drawout-Latched-Type With Single-Barrel Fuse Clips	For Distribution Loads (400A Maximum), Transformer, or Capacitor Switching
GCV5084L06G02-71L1**	Drawout-Latched-Type With Double-Barrel Fuse Clips	For Distribution Loads (400A Maximum), Transformer, or Capacitor Switching

\*Trip Coil Voltage for Fixed-Latched-Type JK OEM Kit is 125V<sub>DC</sub> standard. For other available voltages, consult factory.

\*\*Close/Trip Coil Voltage for Drawout-Latched-Type JK OEM Kit is 120V<sub>AC</sub>/125V<sub>DC</sub> standard. For other available voltages, consult factory.

OPTION	MODIFICATION DESCRIPTION
K1	Provision for Addition of Key Interlock Switch (to Lock Disconnect in Closed Position)
K2	Provision for Addition of Key Interlock Switch (to Lock Disconnect in Open Position)

· Add modification option code to end of JK OEM kit part number before -7 (e.g. GCV5084L05G00K2-7L1, GCV5084L06G01K1-71L1).

· Key switch is not included. Use Superior catalog no. S105821Y (Type B-6003-1).

### APPLICABLE INDUSTRIES

- Aggregate
- Chemical
- Mining & Minerals
- Oil & Gas
- Pulp & Paper
- Water/Wastewater

### APPLICABLE APPLICATIONS

- Conveyors
- Extruders
- Blowers
- Mixers
- Test Stands
- Crushers
- Compressors
- Mills
- Fans
- Pumps



## TOSHIBA TRANSMISSION & DISTRIBUTION DIVISION

- Motor Controls
- Vacuum Contactors
- Vacuum Circuit Breakers

**TOSHIBA**  
Leading Innovation >>>

[www.toshiba.com/tic](http://www.toshiba.com/tic)